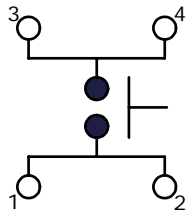
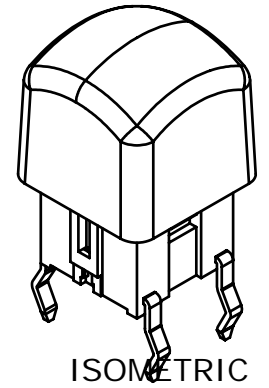
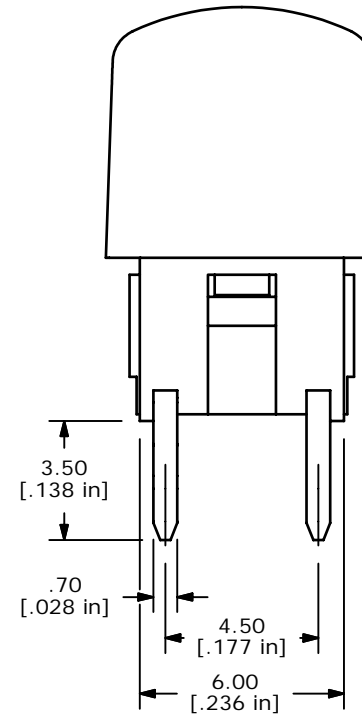
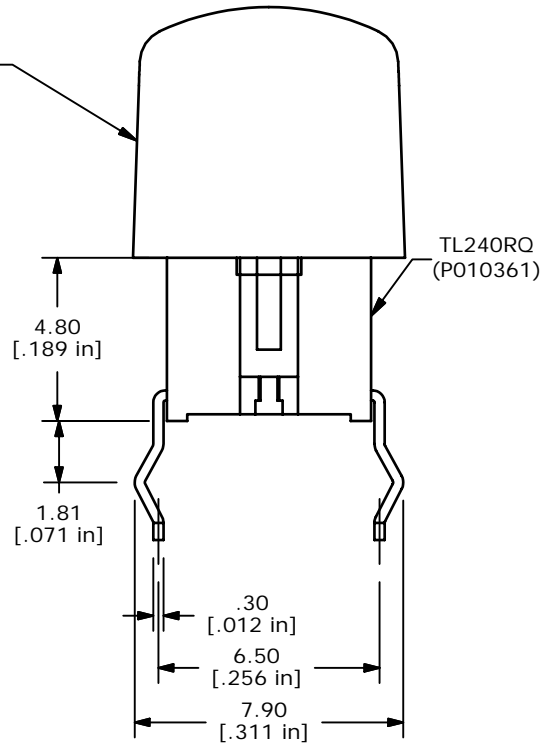


P.C.B. LAYOUT



CIRCUIT: SPST

3J CAP TRANSUSANT WHITE
(P001030)



ISOMETRIC

- NOTES:
1. ALL DIMENSIONS IN MM
 2. GENERAL TOLERANCE: X.X=±0.4
X.XX=±0.25
 3. RATING: 50mA, 12VDC
 4. TRAVEL: 0.25 +0.2/0.1mm
 5. OPERATING FORCE: 160±50gf
 6. CONTACT RESISTANCE: 100mILLI-Ohms Max

E-SWITCH®

TITLE TL1240RQ3JTRAN

A	15359	RELEASED FOR PRODUCTION	10/13/05	PH
REV	PCR NO	DESCRIPTION	DATE	BY

THE INFORMATION CONTAINED IN THIS DOCUMENT IS PROPRIETARY TO E-SWITCH AND IS NOT TO BE COPIED OR TRANSFERRED

SCALE	DATE	DR	DWG	REV
4.5:1	10/13/2005	PH	XP0278A	A